



LICENSE PLATE RECOGNITION TICKETING AND ID SYSTEMS PRS3500 Series

GateSet PRS3500 License Plate Recognition provides state of the art vehicle access inspection with success rate of 98,2% in daylight and 99,2% in nighttime. The system is ideal for a broad range of use from high-speed, highway traffic inspection to parking lot management of facilities such as hospitals, business centers, residential buildings, government/military compounds and shopping malls. Advanced functions of PRS3500 Series includes extensive activity report for each recorded license plate along with assignment and warning for banned vehicles. System is designed to easily integrate with parking management/guidance and access control products such as ticketing systems and rising arm barriers.

PRS3500 Datasheet v.2.0

Usage Areas

<i>Access Control</i>	<ul style="list-style-type: none"> Military Sites Government Offices Police Headquarters Research Centers Embassies Airports Industrial Areas
-----------------------	--

License Plate Recognition Features

Camera Independent System

In terms of camera component, PRS3500 Series are brand or model independent. The system is compatible with all IP cameras which feature Real Time Streaming Protocol. In standard configuration, PRS3500 comes with 2 MP WDR IP Bullet Camera with IR Feature.

Precise Plate Detection

PRS3500 Series provides one of the best plate recognition rates in the market with a success ratio of 98.2% accuracy in daylight and 99.2% at night.

Multi-functional Software

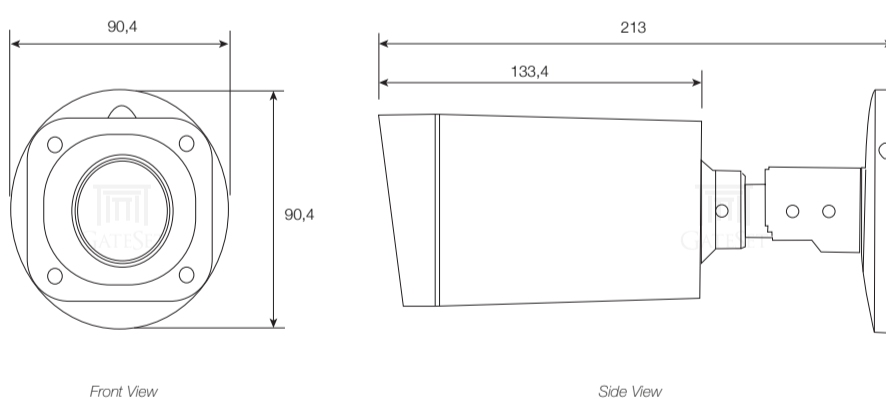
Web-based interface which comes with extensive features such as guest and personnel entry/exit data logging, audible and visual alarm for blacklisted persons; notification to facility personnel for white-listed guests.

Wide Usage Range

When integrated with UVS2000 System, a range of plate recognition up to 15 meters is available. In cases where PRS3500 System is used on the highways for various other purposes such as speed control, toll management and security check, recognition range can be extended up to 40 meters and the system can identify the license plate of vehicles traveling at a maximum speed of 200 km/h.

PRS3500 Datasheet v.2.0

Drawings and Dimensions*



Subject to change depending on design or project needs without prior notice

Technical Specifications*

IMAGE SENSOR	1/2.7" 2Megapixel progressive CMOS
EFFECTIVE PIXELS	1920(H) x1080(V)
RAM/ROM	256MB/16MB
SCANNING SYSTEM	Progressive
ELECTRONIC SHUTTER SPEED	Auto/Manual, 1/3(4)~1/100000s
MINIMUM ILLUMINATION	0.1Lux/F1.4(Color), 0Lux/F1.4(IR on)
S/N RATIO	More than 50dB
IR DISTANCE	Distance up to 60m(197ft)
IR ON/OFF CONTROL	Auto/ Manual
IR LEDS	4
LENS TYPE	Motorized(-ZS),Manual(-VFS)
MOUNT TYPE	Board-in
FOCAL LENGTH	2.7mm~12mm
MAX. APERTURE	F1.4
ANGLE OF VIEW	H:99°~37°, V:52°~21°
FOCUS CONTROL	Motorized (-ZS),Manual(-VFS)
CLOSE FOCUS DISTANCE	0.3m
POWER SUPPLY	DC12V PoE (802.3af)(Class 0)
POWER CONSUMPTION	<12.95W
WARRANTY	Two (2) Years

* Subject to change depending on design or project needs without prior notice

