

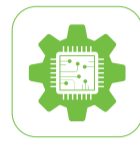


TRIO TURNSTILES GT-6200 Series

GateSet **Corporate Line** GT-6200 Series Trio Turnstiles combine high durability and aesthetic design, presenting an ideal solution for areas requiring moderate level of security. Suitable of functioning both indoor and outdoor, GT-6200 Series Turnstiles are manufactured from 1.2 mm 304 grade stainless steel. With proven ability to handle massive crowds, the double leg case design of GT-6200 ensures robustness against high frequency access points such as subways and stadiums.

ClassicLineGT-6200Datasheet v.2.0

Functional Highlights



Electromechanical



Bidirectional



Indoor/Outdoor



Security / Comfort



30 Passages / min

Usage Areas

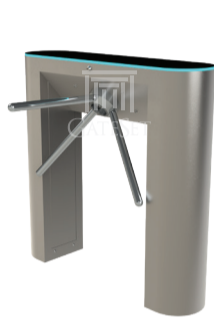
Access Control
Stadiums
Subways
Concert Halls
Sport Centers
Industrial Plants

Featured Characteristics

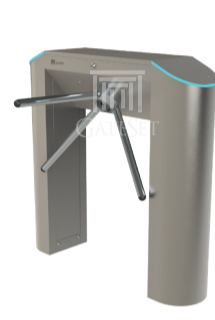
- Elegant** - Delicately processed Satin finish on **304 Grade Stainless Steel**
- Reliable** - Heavy duty mechanics controlled by reliable electronics, ensuring **long product life** with minimal maintenance requirement
- Robust** - Case and arm manufactured from 1.2 mm thick stainless steel with 2 legs for maximum resistance to **high frequency usage**
- Safe** - Optional **drop arm function** which provides fast passage and evacuation in case of emergency
- Flexible** - **Ease of integration** with various access control systems thanks to its sophisticated electronic control card, which answers all demanded high-end functions

Products in this Series

- GT-6200**
- Flat Top design provides ease of passage
 - Recommended For:
 - * Handling 4,000+ users / day



- GT-6240**
- Angled Top design provides seamless incorporation for all reader integrations
 - Recommended For:
 - * Handling 4,000+ users / day



- GT-6204**
- Flat Top design provides ease of passage
 - Recommended For:
 - * Handling 4,000+ users / day
 - Emergency Drop Arm Feature



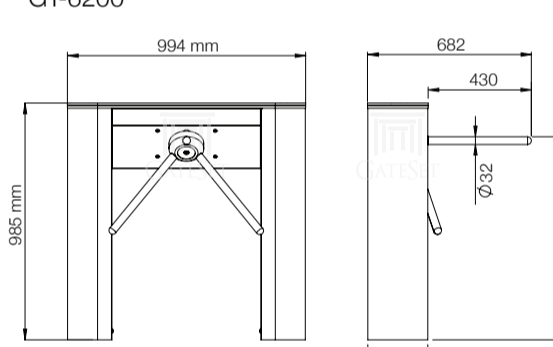
- GT-6244**
- Angled Top design provides seamless incorporation for all reader integrations
 - Recommended For:
 - * Handling 4,000+ users / day
 - Emergency Drop Arm Feature



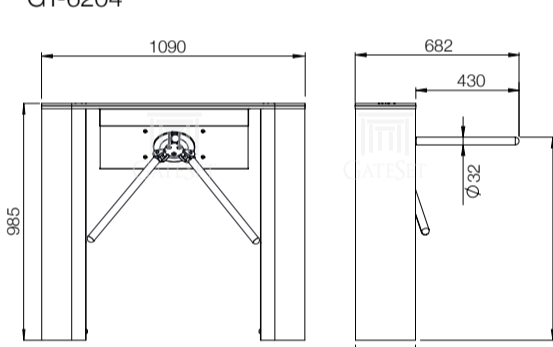
ClassicLineGT-6200Datasheet v.2.0

Drawings and Dimensions

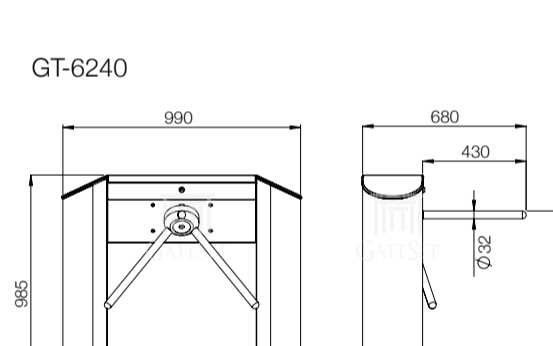
GT-6200



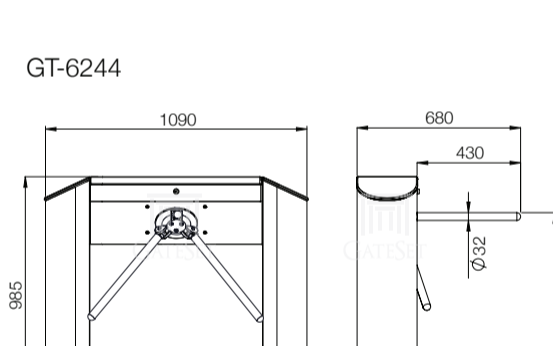
GT-6204



GT-6240



GT-6244



Technical Specifications

MATERIAL - MAIN BODY
1.2 mm 304 grade stainless steel, satin finishing
MATERIAL - ROTATING ARMS
1.2 mm 304 grade stainless steel
TREATMENT - OTHER PARTS
All other parts are coated against corrosion
DIMENSIONS (mm)

GT-6200: 250 x 990 x 985 (WxLxH)
GT-6204: 250 x 1090 x 985 (WxLxH)
GT-6240: 250 x 990 x 985 (WxLxH)
GT-6244: 250 x 1090 x 985 (WxLxH)

ARM LENGTH (mm)
430
OPERATING VOLTAGE
115-240 V AC / 24V DC - 50-60 Hz
NOMINAL / MAX. CURRENT
250 mA / 850 mA
POWER CONSUMPTION
30 W
OPERATING TEMPERATURE
-20 °C / + 70 °C

Microprocessor based control for granting access
Easy integration with all kind of access control equipment
Integrated passage counter at Control Unit with 4 digits display
Entry/Exit/Coin Feedback Signals, 2x 12 V DC 0.3 A Power Outputs, Speaker Output
Entry/Exit/Emergency Input Signals (Free Contact), RS232 Input
Passage Sensors and Token/Coin Unit Inputs (accessories are optional)

CONTROL UNIT TEST BUTTONS
Position detection with two separate micro-switches at mechanics
DROP ARM FEATURE
Dropping feature at each tripod arm providing ease of site evacuation at the case of emergency, in GT-6204 and GT-6244 models

Two separate warning indicators at front and rear side of the gate.
Green arrow indicates "Passage Open", Red cross indicates "Passage Closed"
6 different operational modes available, programmed by means of software
Unidirectional and Bidirectional operation features as "Only Entrance", "Only Exit", "Entrance and Exit"

WARNING INDICATORS
Self-centered and smooth operation by means of spring and hydraulic damper
Handling more than 30 passengers per minute
While aesthetic classical case design provides good outlook, its modularity ensures ease of installation and part replacement

Electrical and mechanical safety for all component. To avoid injuries, all corners and sides are rounded
Main mechanism released and unlocked automatically. Arms rotates free
ISO 9001:2015, CE
2 Years

OPERATION SAFETY
Electrical and mechanical safety for all component. To avoid injuries, all corners and sides are rounded
Main mechanism released and unlocked automatically. Arms rotates free
ISO 9001:2015, CE
2 Years

* Subject to change depending on design or project needs without prior notice

ClassicLineGT-6200Datasheet v.2.0

Optional Accessories



Passage Sensor

Sensors can be deployed on the turnstile in accordance with required functions such as real-time passage signal or unauthorized passage alarm.



Button Control Unit

Designed for ease of operation where security personnel is responsible of opening the turnstile for passengers; wired and remote options available.



Stand-Alone Card Reader

For sites without Access Control System, seamless stand-alone card reader is available.



Token Unit

Customizable token collector can be integrated to the turnstiles, system is adaptable to all token and coin types.

Finishing Options

- Standard** - 304 Stainless Steel, Satin Finishing
- Optional** - 316 Grade Stainless Steel, Satin Finishing
- Optional** - Powder Coating with Anti-Rust Layer and Heat Treatment (RAL Colours Available)

