

TRIO TURNSTILES GT-9100 Series

GateSet **Special Line** GT-9100 Series Waist Height Hygiene Trio Turnstiles are designed for disinfection both hands before entering where the hygiene is mandatory. Gateset GT-9100 Series Hygiene Turnstiles are ideal solution for the areas such as; food production, laboratories, or any specially designated facilities. Before entering to the designated area, gate sprays 3-5 ml alcohol based sanitizer on both hands at the same time and thanks to integrated sensors, it detects automatically when disinfection has been completed, then unlocks the arms automatically to authorize passage. Customized solutions are available depending on project requirement or installation site.

SpecialLineGT-9100Datasheet v.2.0

Functional Highlights



Electromechanical



Bidirectional



Indoor



Security / Comfort



30 Passages / min

Usage Areas

Access Control Sanitized Areas
Food Manufacturing Facilities
Sensitive Laboratories

Featured Characteristics

- Elegant** Delicately processed Satin finish on 304 Grade Stainless Steel
- Reliable** Heavy duty mechanics controlled by reliable electronics, ensuring long product life with minimal maintenance requirement
- Robust** Case and arms manufactured from 1.5 mm thick stainless steel with 1 legs for maximum resistance to high frequency usage
- Safe** Optional drop arm function which provides fast passage and evacuation in case of emergency
- Flexible** Ease of integration with various access control systems thanks to its sophisticated electronic control card, which answers all demanded high-end functions

Products in this Series

GT-9100 - Angled Top design provides seamless incorporation for all reader integrations
- Recommended For:
* Handling 4,000+ users / day

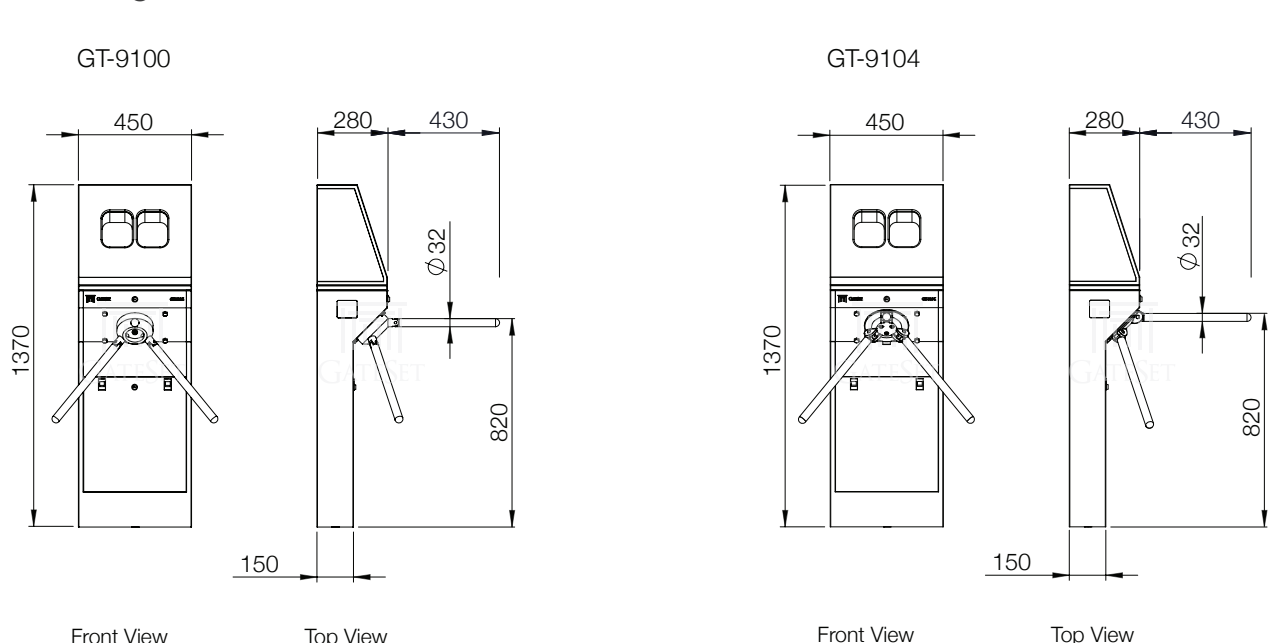


GT-9104 - Angled Top design provides seamless incorporation for all reader integrations
- Recommended For:
* Handling 4,000+ users / day
- Emergency Drop Arm Feature



SpecialLineGT-9100Datasheet v.2.0

Drawings and Dimensions



Technical Specifications

MATERIAL - MAIN BODY	1.5 mm 304 grade stainless steel, satin finishing
MATERIAL - ROTATING ARMS	1.5 mm 304 grade stainless steel
TREATMENT - OTHER PARTS	All other parts are coated against corrosion
DIMENSIONS (mm)	280 x 450 x 1370 (WxLxH)
ARM LENGTH (mm)	430
OPERATING VOLTAGE	115-240 V AC / 24V DC - 50-60 Hz
NOMINAL / MAX. CURRENT	250 mA / 850 mA
POWER CONSUMPTION	30 W
OPERATING TEMPERATURE	-20 °C / + 70 °C
ACCESS CONTROL	Automatic access granting, optical sensors provide access signal to the electronic control card after both hands are sanitized
POSITION DETECTION	Position detection with two separate micro-switches at mechanics
DROP ARM FEATURE	Dropping feature at each tripod arm providing ease of site evacuation at the case of emergency (optional)
WARNING INDICATORS	Two separate warning indicators at front and rear sides of the gate. Green arrow indicates "Passage Open", Red cross indicates "Passage Closed"
OPERATION MODE	6 different operational modes available, programmed by means of software
DIRECTIONAL MODE	Unidirectional and Bidirectional operation features as "Only Entrance", "Only Exit", "Entrance and Exit"
ROTATION CONTROL	Self-centered and smooth operation by means of spring and hydraulic damper
CAPACITY	Handling more than 30 passengers per minute
DESIGN	While aesthetic classical case design provides good outlook, its modularity ensures ease of installation and part replacement
OPERATION SAFETY	Electrical and mechanical safety for all component. To avoid injuries, all corners and sides are rounded
ELECTRICAL FAILURES	Main mechanism released and unlocked automatically. Arms rotates free
CERTIFICATION	ISO 9001:2015, CE
WARRANTY	2 Years

SpecialLineGT-9100Datasheet v.2.0

Optional Accessories

- Passage Sensors**
Sensors can be deployed on the turnstile in accordance with required functions such as real-time passage signal or unauthorized passage alarm. 2 Sensors for one passage is available for bi-directional operation.
- Button Control Unit**
Designed for ease of operation where security personnel is responsible of opening the turnstile for passengers; wired and remote options available.
- Stand-Alone Card Reader**
For sites without Access Control System, seamless stand-alone card reader is available.
- Token Unit**
Customizable token collector can be integrated to the turnstiles, system is adaptable to all token and coin types.

Finishing Options

- Standard** 304 Stainless Steel, Satin Finishing
- Optional** 316 Grade Stainless Steel, Satin Finishing
- Optional** Powder Coating with Anti-Rust Layer and Heat Treatment (RAL Colours Available)